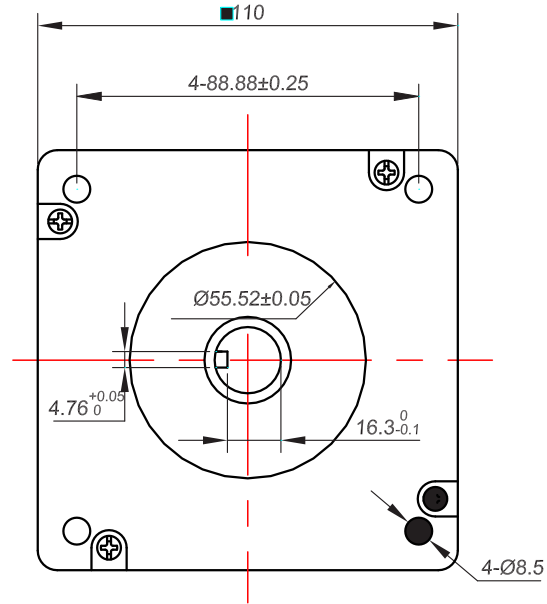
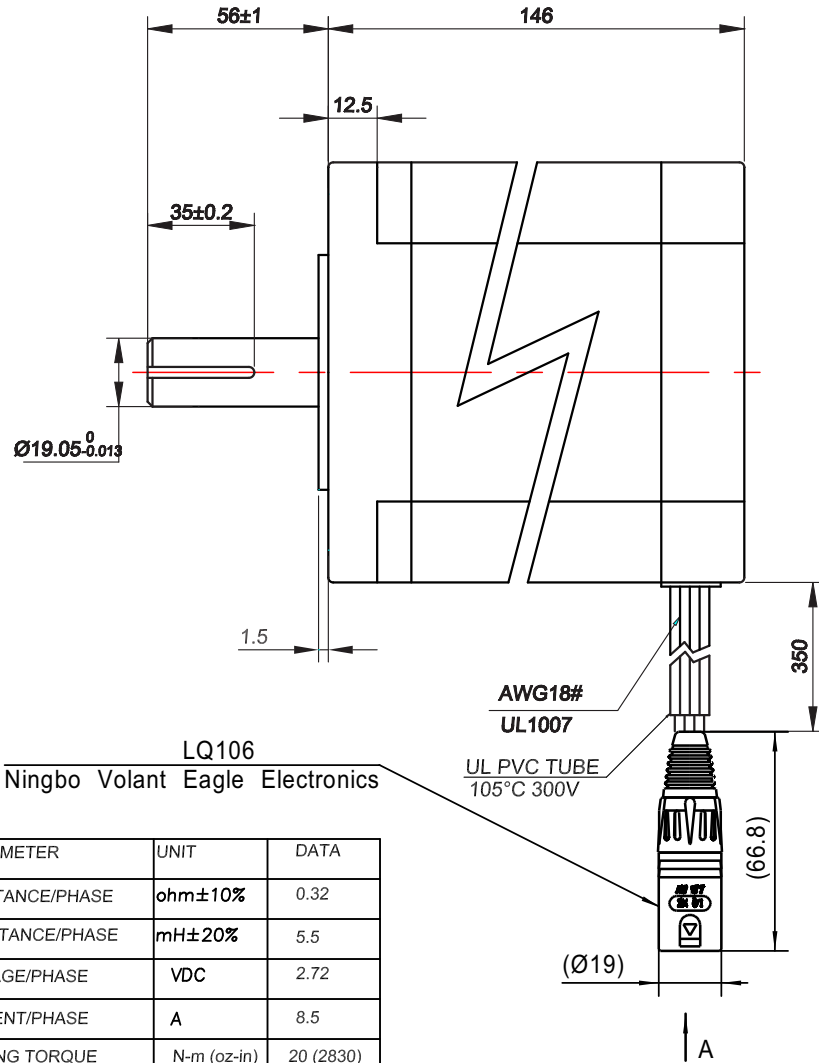
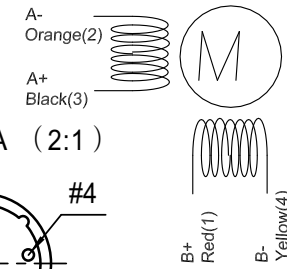


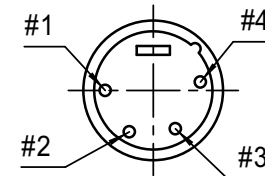
MP-4201



Pin Assignments



View A (2:1)



PARAMETER	UNIT	DATA
RESISTANCE/PHASE	ohm±10%	0.32
INDUCTANCE/PHASE	mH±20%	5.5
VOLTAGE/PHASE	VDC	2.72
CURRENT/PHASE	A	8.5
HOLDING TORQUE	N-m (oz-in)	20 (2830)
MASS	kg (lbs.)	8.5 (18.7)

INERTIA	g-cm ²	11000	INSULATING CLASS	B
STEP ANGLE		1.8°	DIELECTRIC STRENGTH	500 VDC
POSITIONAL ACCURACY		+/- 5%	INSULATION RESISTANCE	100 MOhm (500VDC)
MAX RADIAL PLAY (at 400g load)		0.025 mm	MAX TEMPERATURE RISE	80°C
NUMBER OF PHASES		2	WIRES	4

FLASHCUT GNC
CONTROL MADE SIMPLE

MP-4201